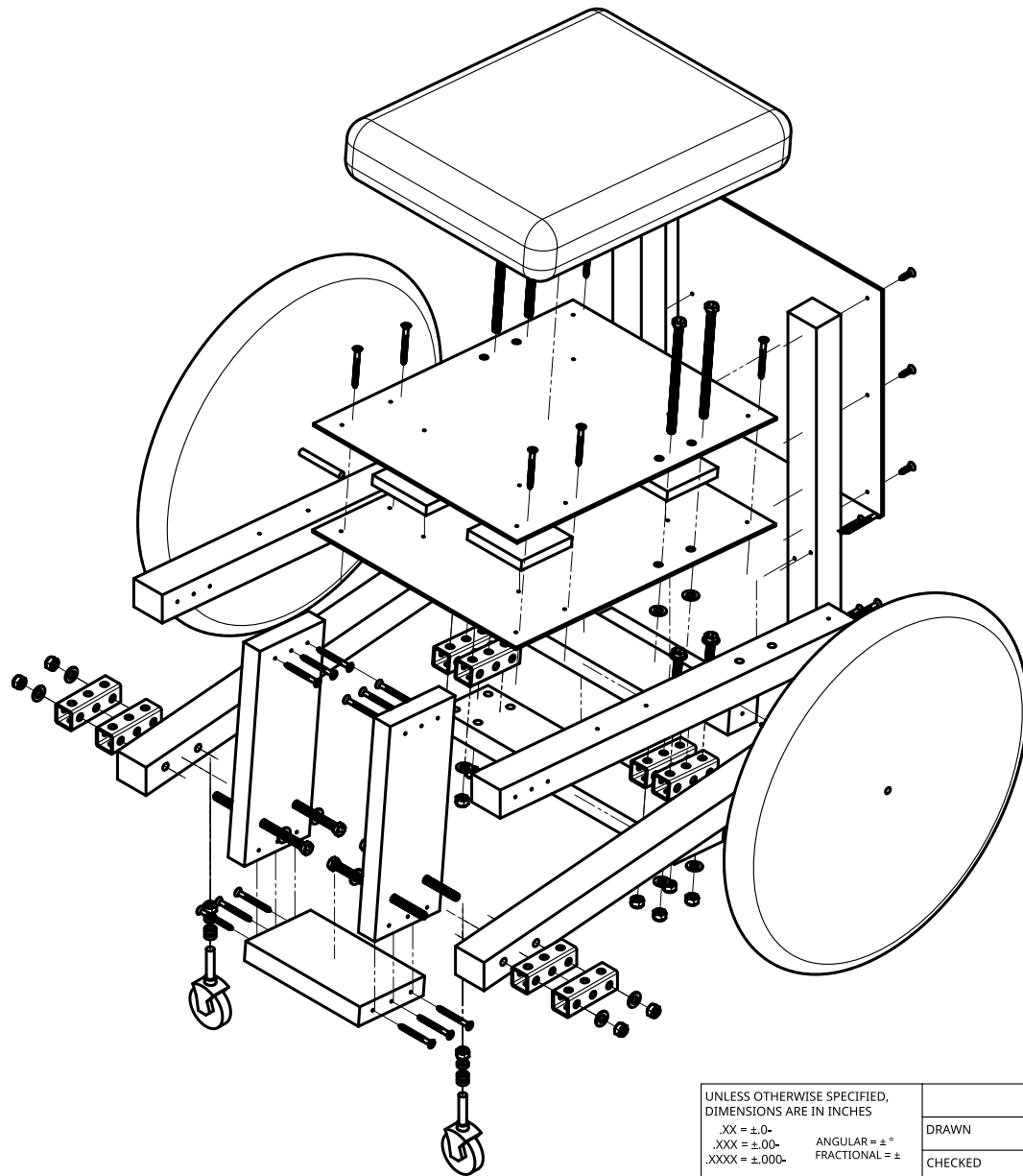


2

1



Item	Quantity	Description	Part number	Vendor
1	28	2" #10 Wood Screw	90031A253	McMaster-Carr
2	24	5/16" Steel Washer	90850A150	McMaster-Carr
3	14	5/16"-18 Nylon Locknut	97135A220	McMaster-Carr
4	10	3/4" #10 Wood Screw	90031A245	McMaster-Carr
5	8	1" Zinc Plated Steel Tube	6535k212	McMaster-Carr
6	8	5/16"-18 Steel Hex Bolt	92865A607	McMaster-Carr
7	6	.3125" ID x .5000" OD x .15625" W Shielded Ball Bearing	57155K378	McMaster-Carr
8	4	Seat pad		Custom Foam
9	4	5/16"-18 x3 1/2" Steel Hex Head Screw	92865A597	McMaster-Carr
10	2	Seat Lower		Custom 1/8" Plywood
11	2	Seat Rail		Custom ripped 2x4
12	2	Back Post		Custom ripped 2x4
13	2	Rear Wheel Strut		Custom 1x4
14	2	Floor Rail		Custom ripped 2x4
15	2	Foot Post		Custom ripped 2x4
16	2	Wheels		Off the Shelf
17	2	Caster		Off the Shelf
18	1	Seat Back		Custom 1/8" Plywood
19	1	Foot Rest		Custom 1x4
20	1	Squaring Rail		Custom 1x4
21	1	Seat Cushion		Off the Shelf

B

B

A

A

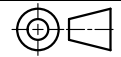
UNLESS OTHERWISE SPECIFIED,
DIMENSIONS ARE IN INCHES
.XX = ±.0-
.XXX = ±.00-
.XXXX = ±.000-
ANGULAR = ± °
FRACTIONAL = ±

SURFACE FINISH

DO NOT SCALE DRAWING

BREAK ALL SHARP EDGES AND REMOVE BURRS

THIRD ANGLE PROJECTION



	NAME	DATE
DRAWN	DAVID ELENTUKH	10/10/2024
CHECKED		
APPROVED		
MATERIAL	FINISH	

TITLE		
Disruptor Open Source Wheel Chair		
SIZE	DWG NO.	REV
A		B
SCALE	WEIGHT	SHEET
1:16		1 of 1

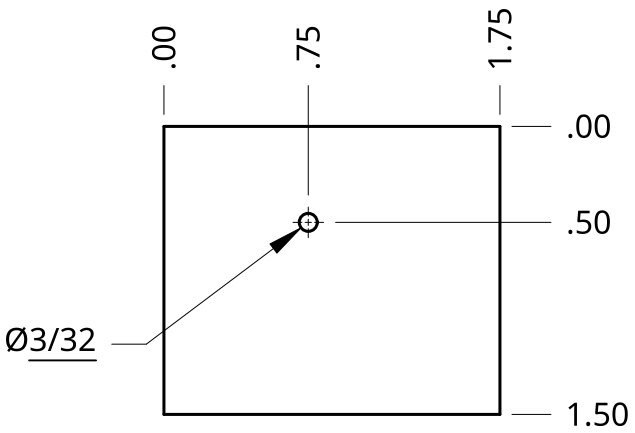
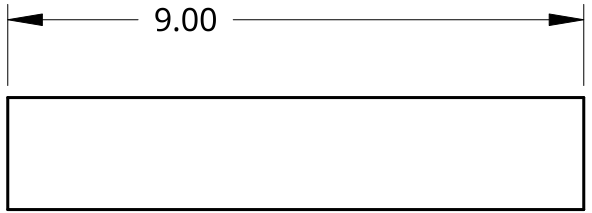
SCALE 1:8

2

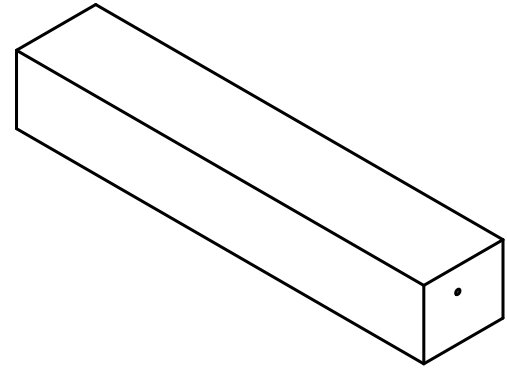
1

2

1



SCALE 1:1



Note:
 - Component made from 1"x 4" standard wood stock

UNLESS OTHERWISE SPECIFIED, DIMENSIONS ARE IN INCHES		NAME	DATE		
.XX = ±.0-	ANGULAR = ± °	DRAWN	AARON TROUTMAN	11/24/2024	
.XXX = ±.00-	FRACTIONAL = ±	CHECKED			TITLE
.XXXX = ±.000-		APPROVED			Squaring Rail
SURFACE FINISH					SIZE A
DO NOT SCALE DRAWING					DWG NO.
BREAK ALL SHARP EDGES AND REMOVE BURRS					REV B
THIRD ANGLE PROJECTION	MATERIAL	FINISH			
	Wood 1"x4"				
	SCALE	1:3	WEIGHT	SHEET	1 of 1

2

1

B

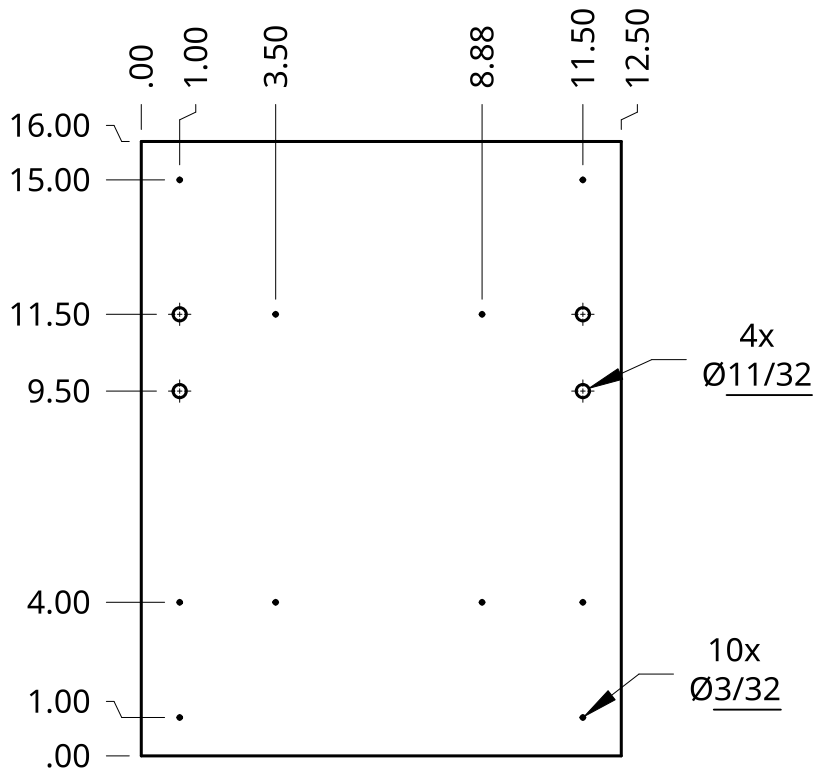
B

A

A

2

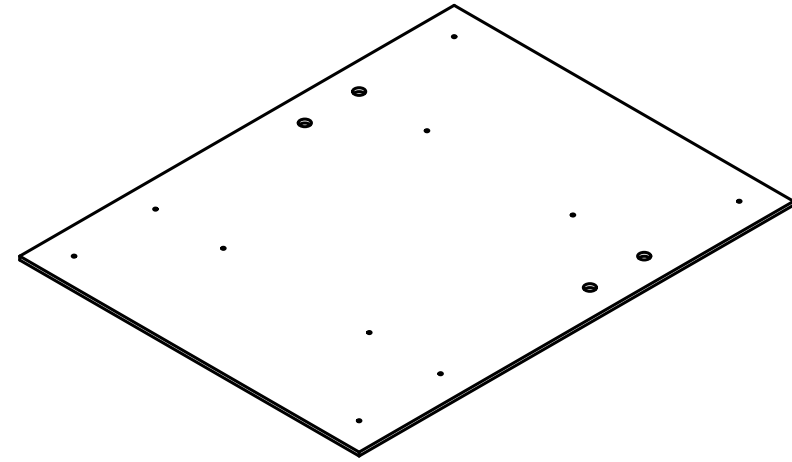
1



4x $\varnothing 11/32$

10x $\varnothing 3/32$

.13



B

B

A

A

Note:

- Hole pattern for 9x screws holes along the right and left side are symmetric
- Component made from 1"x 1/8" standard wood sheet

UNLESS OTHERWISE SPECIFIED, DIMENSIONS ARE IN INCHES

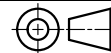
.XX = ±.0-
.XXX = ±.00-
.XXXX = ±.000-
ANGULAR = ± °
FRACTIONAL = ±

SURFACE FINISH

DO NOT SCALE DRAWING

BREAK ALL SHARP EDGES AND REMOVE BURRS

THIRD ANGLE PROJECTION

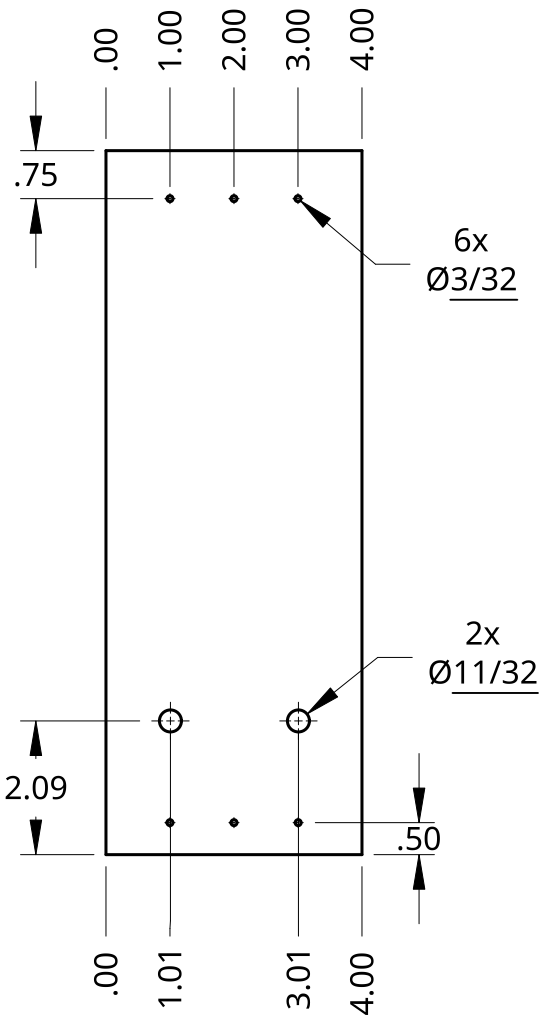


	NAME	DATE
DRAWN	AARON TROUTMAN	10/01/2024
CHECKED		
APPROVED		

TITLE		
Seat		
SIZE	DWG NO.	REV
A		B
SCALE	WEIGHT	SHEET
1:5		1 of 1

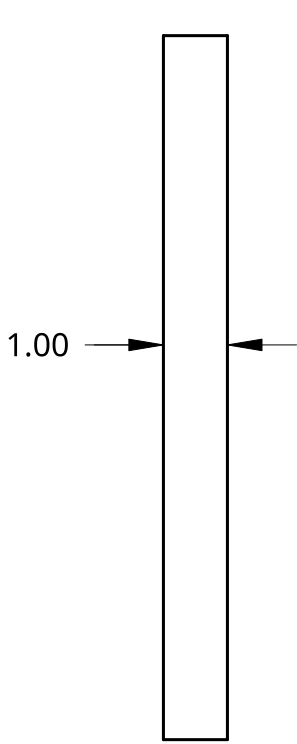
2

1

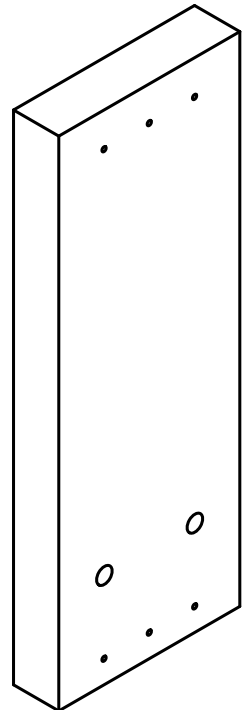


6x
Ø3/32

2x
Ø11/32



1.00



Note:
 - Hole pattern for 3x holes on top of plate and bottom are symmetric
 - Component made from 1"x 4" standard wood stock
 - 2x 11/32" holes along are parallel

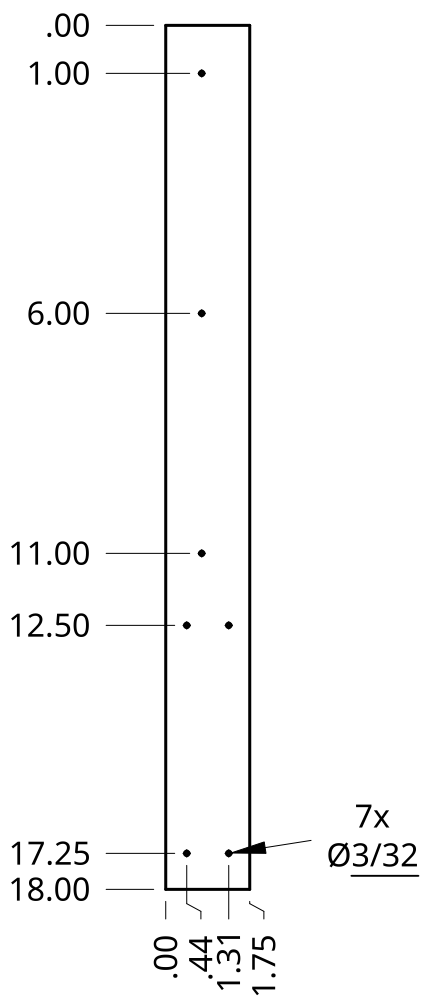
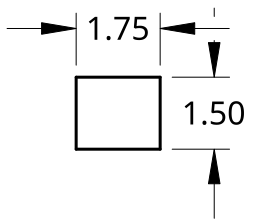
UNLESS OTHERWISE SPECIFIED, DIMENSIONS ARE IN INCHES		NAME	DATE		
.XX = ±.0-	ANGULAR = ± °	DRAWN	AARON TROUTMAN	11/24/2024	
.XXX = ±.00-	FRACTIONAL = ±	CHECKED			TITLE
.XXXX = ±.000-		APPROVED			Foot Post
SURFACE FINISH ✓					
DO NOT SCALE DRAWING					
BREAK ALL SHARP EDGES AND REMOVE BURRS					
THIRD ANGLE PROJECTION	MATERIAL	FINISH		SIZE	REV
	Wood 1"x4"			A	B
		SCALE	1:3	WEIGHT	
		SHEET	1 of 1		

2

1

B

B



A

A

Note:
- Component made from 1"x 4" standard wood stock

UNLESS OTHERWISE SPECIFIED, DIMENSIONS ARE IN INCHES .XX = ±.0- .XXX = ±.00- .XXXX = ±.000- SURFACE FINISH		NAME	DATE		
DO NOT SCALE DRAWING		DRAWN	AARON TROUTMAN	11/24/2024	
BREAK ALL SHARP EDGES AND REMOVE BURRS		CHECKED			TITLE
THIRD ANGLE PROJECTION		APPROVED			Back Post
		MATERIAL	FINISH		SIZE
		Wood 1"4"			A
				DWG NO.	REV
					B
		SCALE	1:4	WEIGHT	SHEET
					1 of 1

2

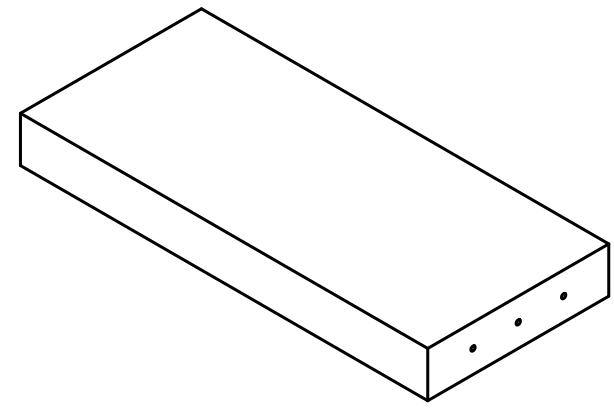
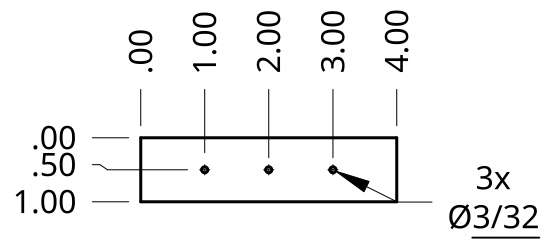
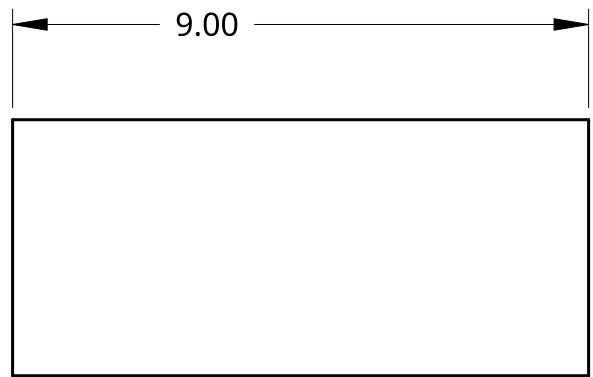
1

2

1

B

B



A

A

Note:
- Component made from 1"x 4" standard wood stock

UNLESS OTHERWISE SPECIFIED, DIMENSIONS ARE IN INCHES .XX = ±.0- .XXX = ±.00- .XXXX = ±.000-		NAME	DATE		
SURFACE FINISH ✓		DRAWN	AARON TROUTMAN	11/24/2024	
DO NOT SCALE DRAWING		CHECKED			TITLE
BREAK ALL SHARP EDGES AND REMOVE BURRS		APPROVED			Foot Rest
THIRD ANGLE PROJECTION		MATERIAL	FINISH	SIZE	REV
		Wood 1"x4"		A	B
				SCALE	1:3
				WEIGHT	
				SHEET	1 of 1

2

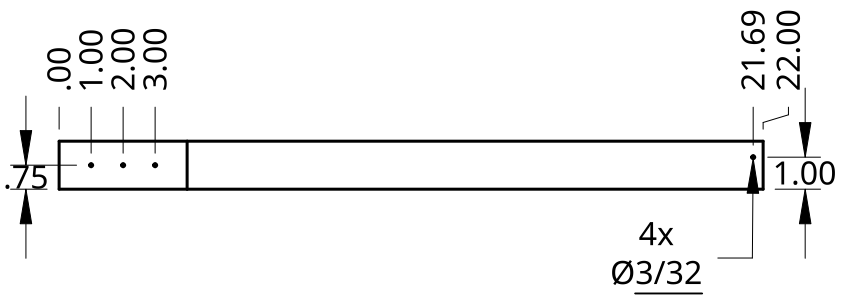
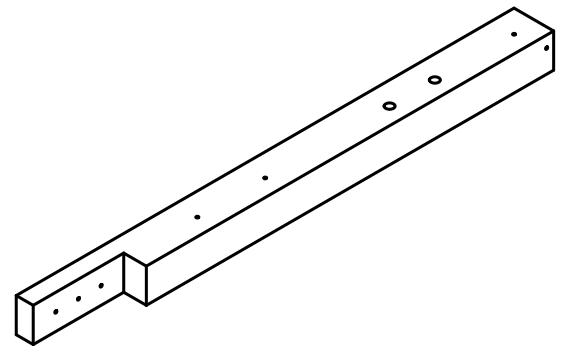
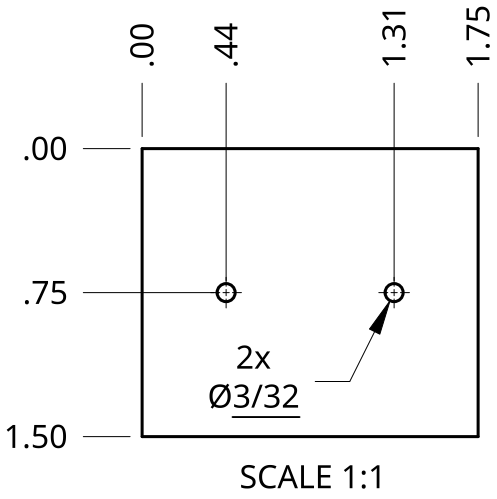
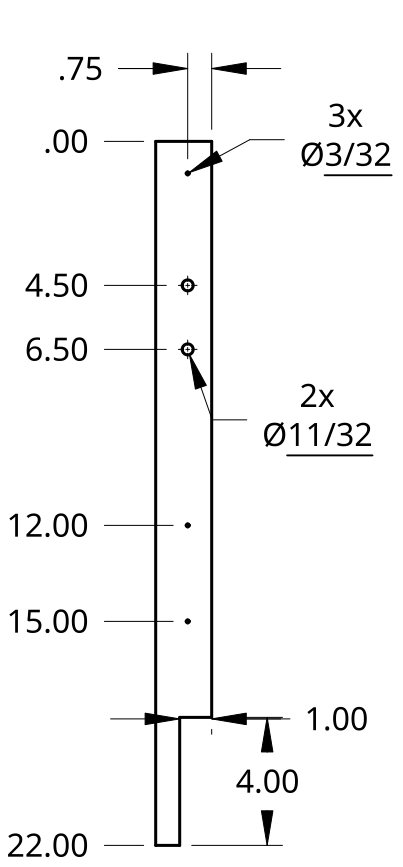
1

2

1

B

B



A

A

Note:
- Component made from 1"x 4" standard wood stock

UNLESS OTHERWISE SPECIFIED, DIMENSIONS ARE IN INCHES		NAME	DATE		
.XX = ±.0-	ANGULAR = ± °	DRAWN	AARON TROUTMAN	11/24/2024	
.XXX = ±.00-	FRACTIONAL = ±	CHECKED			TITLE
.XXXX = ±.000-		APPROVED			Seat Rail
SURFACE FINISH					SIZE
DO NOT SCALE DRAWING					A
BREAK ALL SHARP EDGES AND REMOVE BURRS					DWG NO.
THIRD ANGLE PROJECTION	MATERIAL	FINISH			REV
	Wood 1"x4:				B
					SCALE
					1:6
					WEIGHT
					SHEET
					1 of 1

2

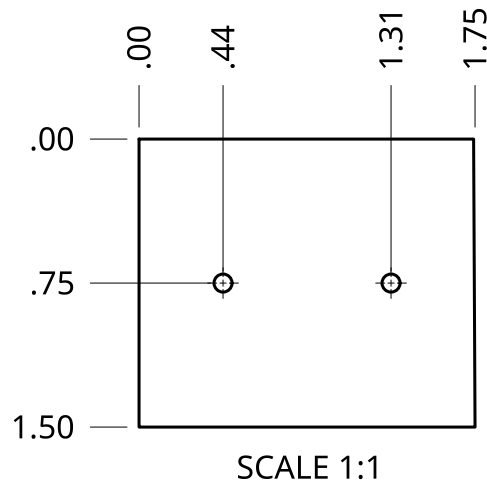
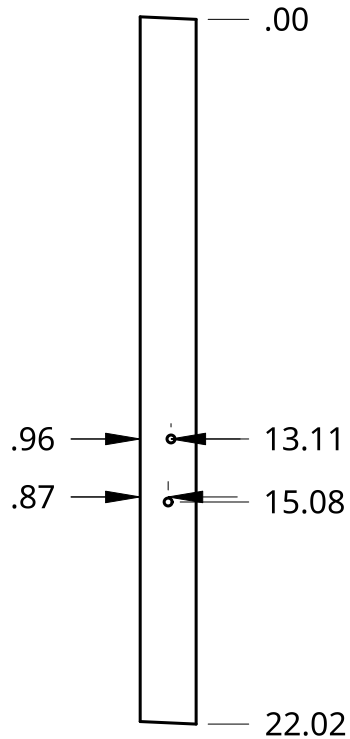
1

2

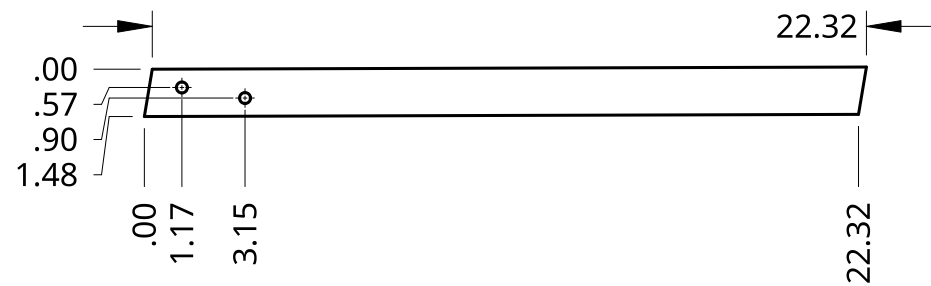
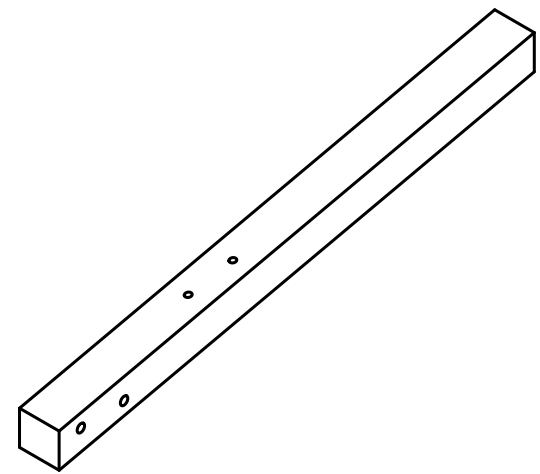
1

B

B



SCALE 1:1



A

A

Note:
 - Component made from 1"x 4" standard wood stock

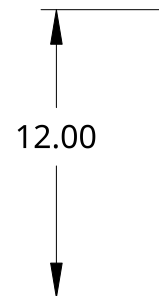
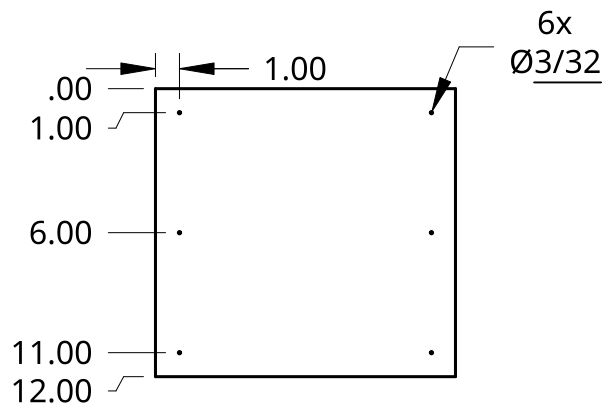
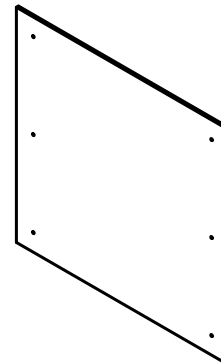
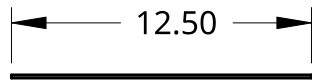
UNLESS OTHERWISE SPECIFIED, DIMENSIONS ARE IN INCHES		NAME	DATE		
.XX = ±.0-	ANGULAR = ± °	DRAWN	AARON TROUTMAN	11/24/2024	
.XXX = ±.00-	FRACTIONAL = ±	CHECKED			TITLE
.XXXX = ±.000-		APPROVED			Floor Rail
SURFACE FINISH					
DO NOT SCALE DRAWING					
BREAK ALL SHARP EDGES AND REMOVE BURRS					
THIRD ANGLE PROJECTION	MATERIAL	FINISH		SIZE	REV
	Wood 1"x4"			A	B
				DWG NO.	
				SCALE	1 of 1
				1:6	
				WEIGHT	
				SHEET	

2

1

2

1



Note:

- Hole pattern for 3x screws holes along the right and left side are symmetric
- Component made from 1"x 1/8" standard wood sheet

UNLESS OTHERWISE SPECIFIED, DIMENSIONS ARE IN INCHES		NAME	DATE		
.XX = ±.0-	ANGULAR = ± °	DRAWN	AARON TROUTMAN	10/15/2024	
.XXX = ±.00-	FRACTIONAL = ±	CHECKED			TITLE
.XXXX = ±.000-		APPROVED			Seat Back
SURFACE FINISH					SIZE A DWG NO.
DO NOT SCALE DRAWING					REV B
BREAK ALL SHARP EDGES AND REMOVE BURRS					SCALE 1:8 WEIGHT SHEET 1 of 1
THIRD ANGLE PROJECTION	MATERIAL Wood 1"x1/8" Sheet	FINISH			

2

1

B

B

A

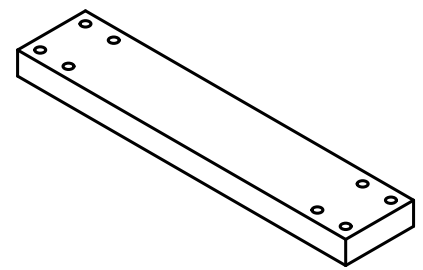
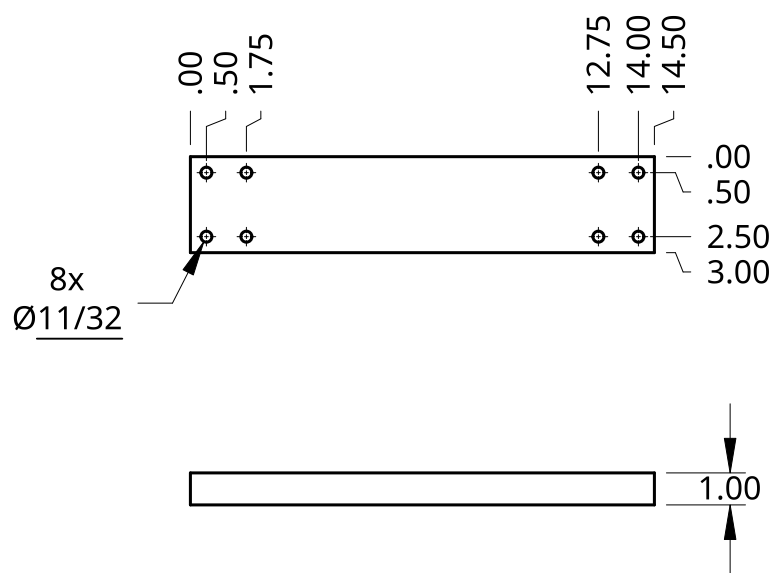
A

2

1

B

B



A

A

Note:
 - Hole pattern for 4x holes on the left and right are symmetric
 - Component made from 1"x 4" standard wood stock

UNLESS OTHERWISE SPECIFIED, DIMENSIONS ARE IN INCHES .XX = ±.0- .XXX = ±.00- .XXXX = ±.000- SURFACE FINISH		NAME	DATE		
DO NOT SCALE DRAWING	DRAWN	AARON TROUTMAN	10/15/2024	TITLE	
BREAK ALL SHARP EDGES AND REMOVE BURRS	CHECKED			Rear Wheel Strut	
THIRD ANGLE PROJECTION	APPROVED				
	MATERIAL	FINISH		SIZE	REV
	Wood 1'x4'			A	B
		SCALE	WEIGHT	SHEET	
		1:6		1 of 1	

2

1